



SUPERIOR
MANUFACTURING

PADDING BUCKETS

SBP-15 | SBP-25



PADDING BUCKETS

SBP-15/25



SCREEN VOLUME

1.5 yd³ / 2.5 yd³



WEIGHT

5,622 lb / 7,716 lb



SUPERIOR PADDING BUCKETS

The Perfect Tool for Tie-in Jobs and Small Jobs

Easily attached to an excavator, Superior's padding bucket features:

- Adjustable for screened material size
- Double chain transmission
- Two hydraulic motors
- 4 screen rollers with HARDOX steel type
- Bracket support for excavator upon request

Call **888.997.3687** now to get yours!

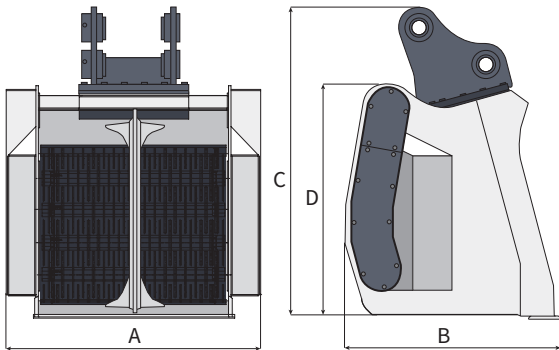


SBP-15

Specifications

Screening volume	1.5 yd ³ (1.15 m ³)
Rotor sizes	0.7 / 1 / 1½ / 2 in (18/25/38/50 mm)
Weight	5,622 lb (2,550 kg)
Recommended excavator	Cat 320 or equivalent

Dimensions



A	5.2' (1.59 m)
B	4.4' (1.34 m)
C	6.4' (1.96 m)
D	4.8' (1.47 m)

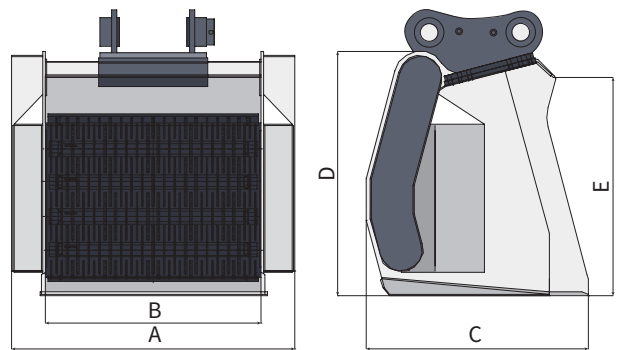


SBP-25

Specifications

Screening volume	2.5 yd ³ (1.9 m ³)
Rotor sizes	1 / 1½ / 2 in (25/38/50 mm)
Weight	7,716 lb (3,500 kg)
Recommended excavator	Cat 330 or equivalent

Dimensions



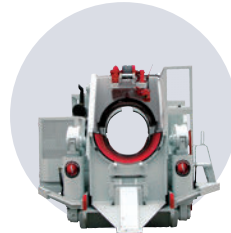
A	6' (1.82 m)
B	4.6' (1.39 m)
C	4.7' (1.43 m)
D	5.2' (1.58 m)
E	4.6' (1.41 m)



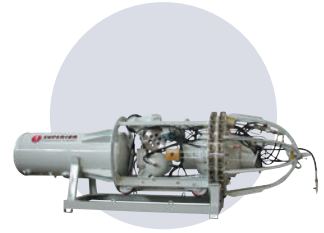
Padding Machines



Pipelayers



Pipe Benders



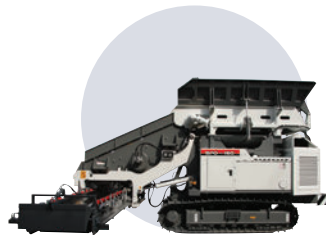
Pipeline Accessories



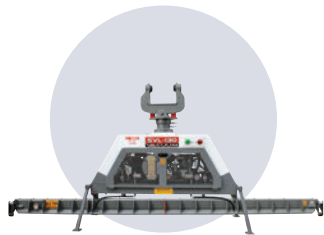
Crawler Carriers



Hydraulic Kits



Top-Loading Padders



Vacuum Lifts



2200 Post Oak Blvd., Ste. 1400
Houston, TX 77056
Main 281.457.4400
U.S. Toll Free 800.383.2666
sales@superiormftg.com
www.superiormftg.com

U.S. +1.281.457.4400
Canada +1.281.457.4400
Mexico & Latin America +54.911.5049.8121
Brazil +54.911.4083.1274
Europe +49.0.151.226.52385
India +91.11.414.59230
Africa +49.0.170.583.4021
Australia +61.0.488.661.985
Middle East & Asian Pacific +61.0.488.661.985