



## ***The SP-150***

The SP-150 is a remote control padder that is perfectly suited for utility work and small padding operations. The escalator and screen sections can be adjusted for changing soil materials.



**SCREEN AREA**  
25 ft<sup>2</sup>



**WEIGHT**  
26,455 lb



**HORSEPOWER**  
140 HP

## Specifications

### Engine

Type	Caterpillar
Model	C-4.4 ACERT
Net flywheel power (DIN 6270)	140 HP - 103 kW
Governed speed	2,200 rpm

### Hydraulic System

Main pumps:	Bosch-Rexroth - 2 independent variable pumps travel
Maximum capacity	2x35.6 US gal/min (2x135 L/min)
Maximum operating pressure	5,800 p.s.i. (400 bar)
1 Hydrostatic pump escalator	
Maximum capacity	20.5 US gal/min (77 L/min)
Maximum operating pressure	4,350 p.s.i. (300 bar)
Service pumps	1 tandem gear type
Maximum capacity	12.2 + 5.5 US gal/min (46 + 21 L/min)

### Transmission

Type	Hydrostatic
Motors	(HYDROMATIC) two motors with axial pistons disappearing into the track frames
Brakes	Integrated negative control
Final drives	Epicycloidal oil soaked
Maximum speed	2.2 mph (3.4 km/h)

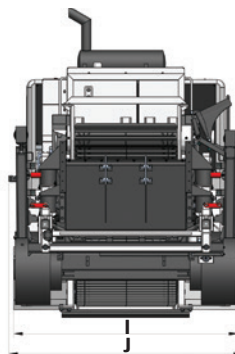
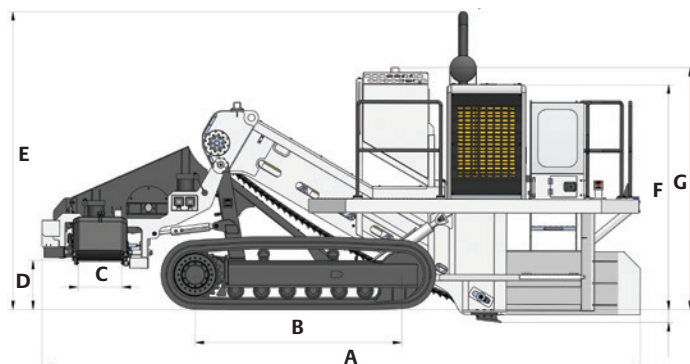
### Fluid Capacities

Fuel tank	80 US gal (300 L)
Hydraulic system circuit	106 US gal (400 L)

### Escalator

Type	Hydrostatic, operator controlled, variable speed
Vertical adjustment	Minus 8 inches to plus 2 ft
Chain Adjusters	Mechanical

## Dimensions



A	22.3' (6.81 m)
B	7.7' (2.35m)
C	1.6' (50 cm)
D	1.8' (56.1 cm)
E	11.1' (3.38 m)
F	8.4' (2.55 m)
G	9' (2.75 m)
H	5.7" (14.5 cm)
I	8.4' (2.55 m)
J	8.7' (2.66 m)

### Screen

Interchangeable screen mesh	1/4 to 1-1/2 in
Width	54 in (136 cm)
Maximum feed size	63 in (160 cm)

### Controls

Type	Electronic remote control
Safety	Emergency shut-off

### Conveyor Belt

Bilateral hydraulic extension slide	
Type	Rubber
Width	20 in (50 cm)
Length	16 ft (4,750 mm)
	Sectional: 8ft, 12ft or 16ft (2.43 m, 3.66 m or 4.88 m)
Variable speed	0 - 230 mt/min
Rotation capability	Reversible
Transmission	Hydraulic variable speed
Hydraulic motors	2 orbital type

### Electric System

Operating voltage	24 V
Maintenance free supplied batteries	2
Capacity (total)	120 Ah
Starter capacity	4 Kw
Alternator	30 A

### Production

Production rate will vary with certain conditions: Soil Condition, Pipe Size, Terrain, R.o.w.	
indicative production, 10" pipe, normal soil	158 mt/h - 520 ft/hr



2200 Post Oak Blvd., Ste. 1400, Houston, TX 77056

Main 281.457.4400 | U.S. Toll Free 800.383.2666 | sales@superiormftg.com | www.superiormftg.com